

NEW

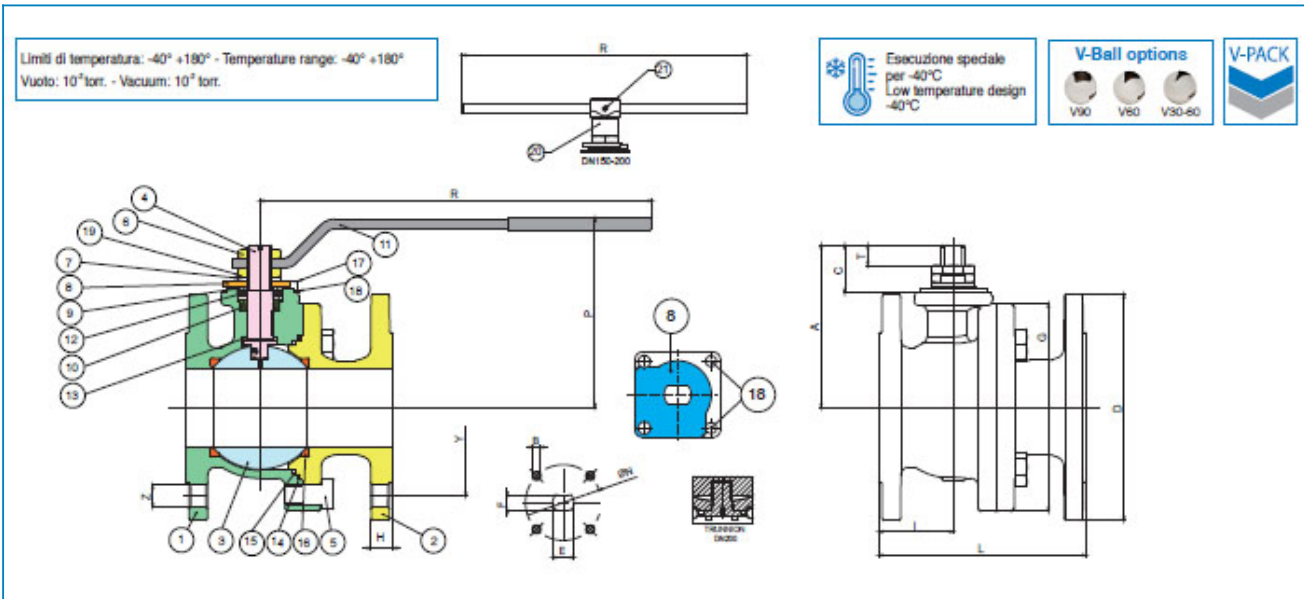


Serie **SPLIT-BODY PN40...**

Articolo **760V40**

STAINLESS STEEL

Flanged PN 16 stainless steel A 351-CF8M ball valve, full bore, V-pack stem seal, En 558 basic serie 27 face to face dimension, Fire Safe, Antistatic device.



POS.	PART NAME	MATERIALE-MATERIALS MATERIAUX-WERKSTOFF- MATERIAL	N°P
1	BODY	A351-CF8M	1
2	END CONNECTION	A351-CF8M	1
3	BALL	A351-CF8M	1
4	STEM	A479-Tp316	1
5	SCREW	A2-70	*4-8-12
6	NUT	A2-70	** 2-1
7	SPRING WASHER	AISI 304	4
8	90° STOP	AISI 316	1
9	PACKING GLAND	A479-Tp316	2
10	V-PACK	P.T.F.E.	1
11	HANDLE	AISI 316	1
12	STEM SEAL	GRAPHOIL	1
13	THRUST WASHER	P.T.F.E.	1
14	BODY SEAT	GRAPHOIL	1
15	BODY SEAT	P.T.F.E.	1
16	BALL SEAT	TFM - MPTFE	2

17	SCREW	A2-70	2
18	WASHER	AISI 304	2
19	UNSCREWING GROWER	AISI 316	1
20	BODY HANDLE DN150-200	EN-GJL 250	1
21	SCREW	8.8 CS	2

*DN65=4 - DN80-100=8 - DN150-200=12

**DN65-125=2 - DN150-200=1

MISURA SIZE	DN	CODICE MISURA SIZE CODE	D	Y	Z	H	I	L	G	P	R	A	C	T	E	F	ØN	B	Kv	PN	Kg
1/2"	15	*04	95	65	4 x Ø14	16	49	115	71	88	131	52	19	8	M10	7	42-F04	M5	16,3	40	2,50
3/4"	20	*05	105	75	4 x Ø14	18	51	120	73,5	93	131	56	19	8	M10	7	42-F04	M5	29,5	40	3,20
1"	25	*06	115	85	4 x Ø14	18	54	125	90,5	89	174	72,5	27,5	13	M12	8	50-F05	M6	43	40	4,50
1"1/4	32	*07	140	100	4 x Ø18	18	55	130	97	93	174	76	27,5	13	M12	8	50-F05	M6	89	40	5,80
1"1/2	40	*08	150	110	4 x Ø18	18	51,5	140	114	133	250	107	30	10	M16	10	50-F05	M6	230	40	8,10
2"	50	*10	165	125	4 x Ø18	20	57,5	150	136,5	144	321	122	38,5	18	M20	14	70-F07	M8	265	40	11,40
2"1/2	65	*12	185	145	4 x Ø18	22	61	170	167,6	154	321	133	39,5	18	M20	14	70-F07	M8	540	40	15,40
3"	80	*14	200	160	8 x Ø18	24	75,5	180	178,6	173	381	151	43	18	M24	18	102-F10	M10	873	40	21,60
4"	100	*18	235	190	8 x Ø22	24	80	190	219	187	381	165	43	18	M24	18	102-F10	M10	1390	40	31,20
6"	150	*20	300	250	8 x Ø25	28	163	350	306	305	700	245	68	35	M42	30	125-F12	M12	3671	40	82,70
8"*	200	*21	375	320	12 x Ø29	34	201	400	410	348	700	290	68	41	M42	30	125-F12	M12	6816	40	143,00

* TRUNNION Δp=25 bar

** Art. 760V00 - *** Art. 760V01