

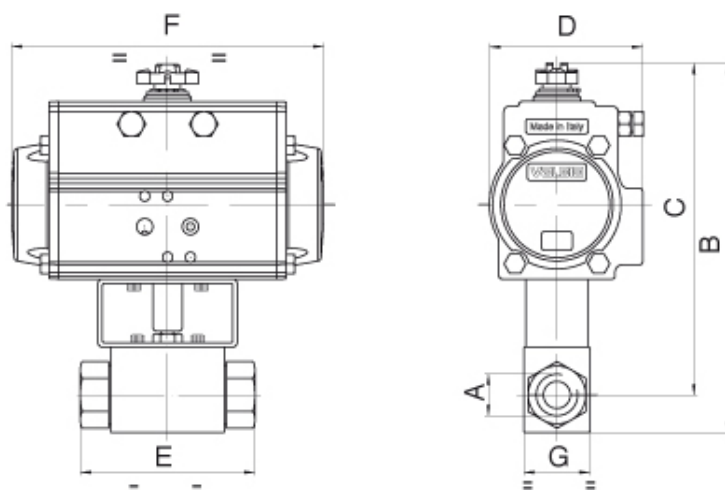


Serie ALTA PRESSIONE

Articolo 8P013700 - 8P013800

2 ways ball valve, 9SMnPb36, F/F threaded, for high pressure, with actuator.; for Hydraulic oil, emulsion, gas. For particular applications, refer to Valbia.

PRESSIONE MINIMA ALIMENTAZIONE ATTUATORE 6 bar actuator air supply pressure minimum 6 bar



Art. 8P013700

VALVOLA CON ATTUATORE DOPPIO EFFETTO VALVE WITH DOUBLE ACTING ACTUATOR

PN	500	500	400	350	350	350	350
DN - A	3/8"	1/2"	3/4"	1"	1 1/4"	1 1/2"	2"
B	182	196	226	237	292	306	347
C	164	178	203	207	245	252	290
D	71	81	95	95	123	123	137
E	73	83	95	112	115	131	140
F	141	164	210	210	275	275	333
G	35	37	45	55	88	102	118
ACT.	DA 52	DA 63	DA 75	DA 75	DA 100	DA 100	DA 115
RI	3740	3741	3742	3742	4027	4027	4019

Art. 8P013800

VALVOLA CON ATTUATORE SEMPLICE EFFETTO VALVE WITH SPRING RETURN ACTUATOR

PN	500	500	400	350	350	350	350
DN - A	3/8"	1/2"	3/4"	1"	1 1/4"	1 1/2"	2"
B	212	214	254	264	326	340	421
C	194	196	230	234	279	286	364
D	95	95	123	123	137	137	164
E	73	83	95	112	115	131	140
F	210	210	275	275	333	333	435
G	35	37	45	55	88	102	118
ACT.	SR 75	SR 75	SR 100	SR 100	SR 115	SR 115	SR 140
RI	3745	3745	3742	3742	4028	4028	3746

